

INTERNATIONAL AEROBATIC CLUB SCORESHEET

A	Contest:	Date:	Category:	Programme:	pilot's number	
	Pendleton Ore		Advanced	Free		

No	Symbol	Catalog No	K	Tot K	Score	Remarks
1		8.1.1 9.4.1.4 9.2.5.4	13 15 9	37 sf=7		
2		1.18.1 9.2.1.4 9.1.4.6	13 13 10	36 sf=7		
3		1.6.1 9.1.1.2	10 8	18 sf=7		
4		1.6.3 9.11.1.4	10 5	15 sf=3		
5		5.1.1 9.1.1.5 9.9.5.3	17 14 11	42 sf=4		
6		8.3.1 9.1.1.4 9.4.5.2	15 12 5	32 sf=7		
7		1.7.1 9.8.1.1	9 7	16 sf=7		
8		1.7.4 9.1.5.1	9 2	11 sf=7		
9		5.1.3 9.1.1.3 9.8.5.1	18 10 3	31 sf=5		
10		8.4.2 9.1.1.1 9.1.5.3	14 6 6	26 sf=7		
11		7.2.1 9.4.3.2 9.9.3.4	6 5 11	22 sf=4		
12		2.3.1	14	14 sf=2		

Item	K	Score
Presentation	12	

FIGURE TOTAL K = **300**

INCLUDING PRESENTATION = **312**

Aircraft Type:
Pitts S-1 C-GIPS

FREE PROGRAM CHECKED BY:

Signature:	Date:
	IAC No.

Judge
Name
Number



Guido Lepore

pilot

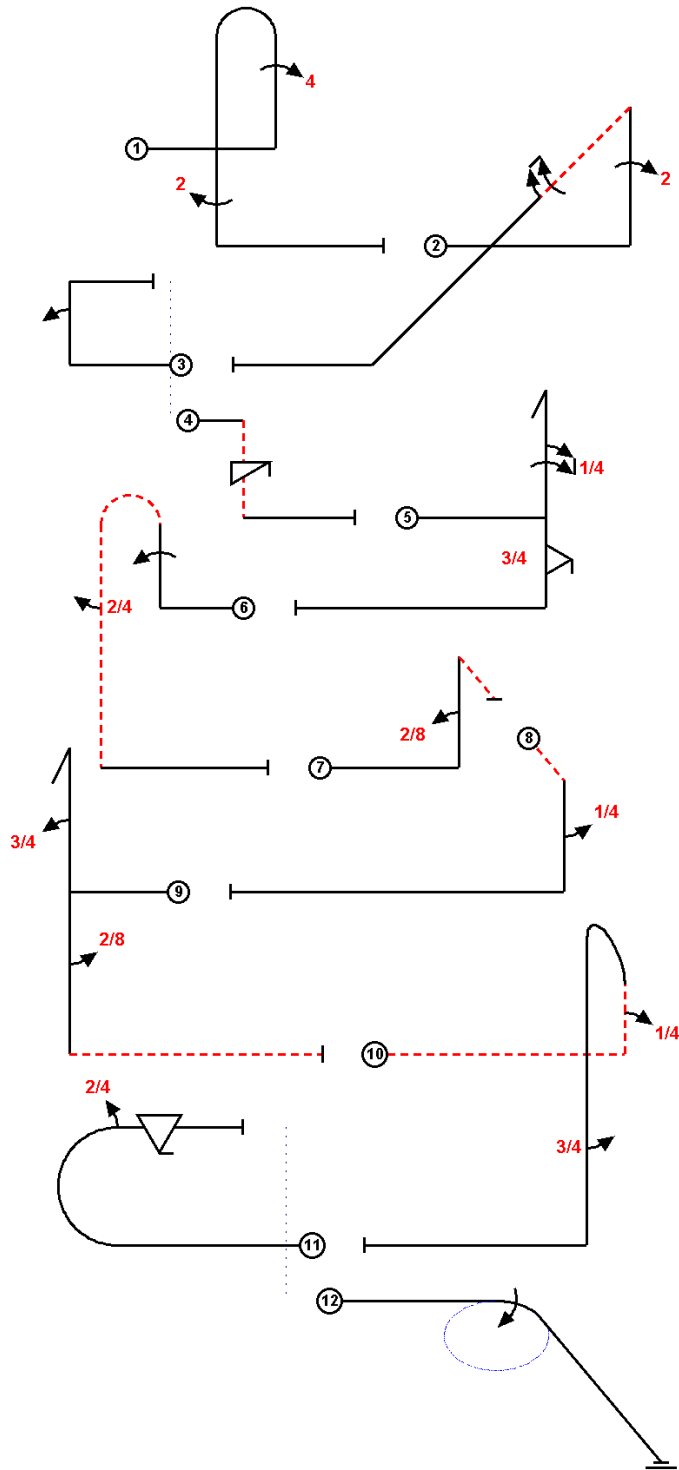


B	Contest: Pendleton Ore	Category: Advanced
	Date:	Program: Free

Guido Lepore

Pilot:

wind direction



Total K = 300 (11k@8,42k@5)

Sequence [iac advanced free] Verified OK: 12 Figures, 300K (max)

Pitts S-1 C-GIP

A/C:

(signature/date)

FREE PROGRAM CHECK BY:

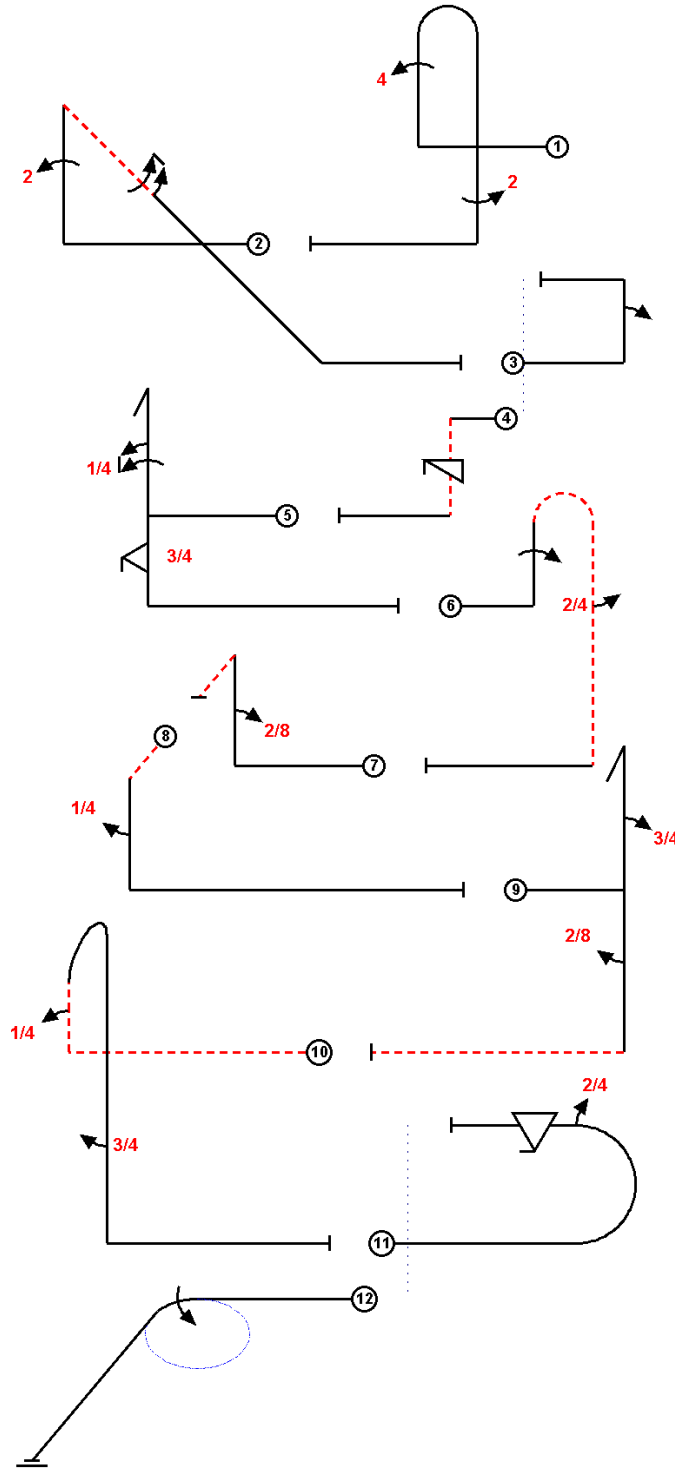


C	Contest: Pendleton Ore	Category: Advanced
	Date:	Program: Free

Guido Lepore

Pilot:

wind direction



Total K = 300 (11k@8,42k@5)

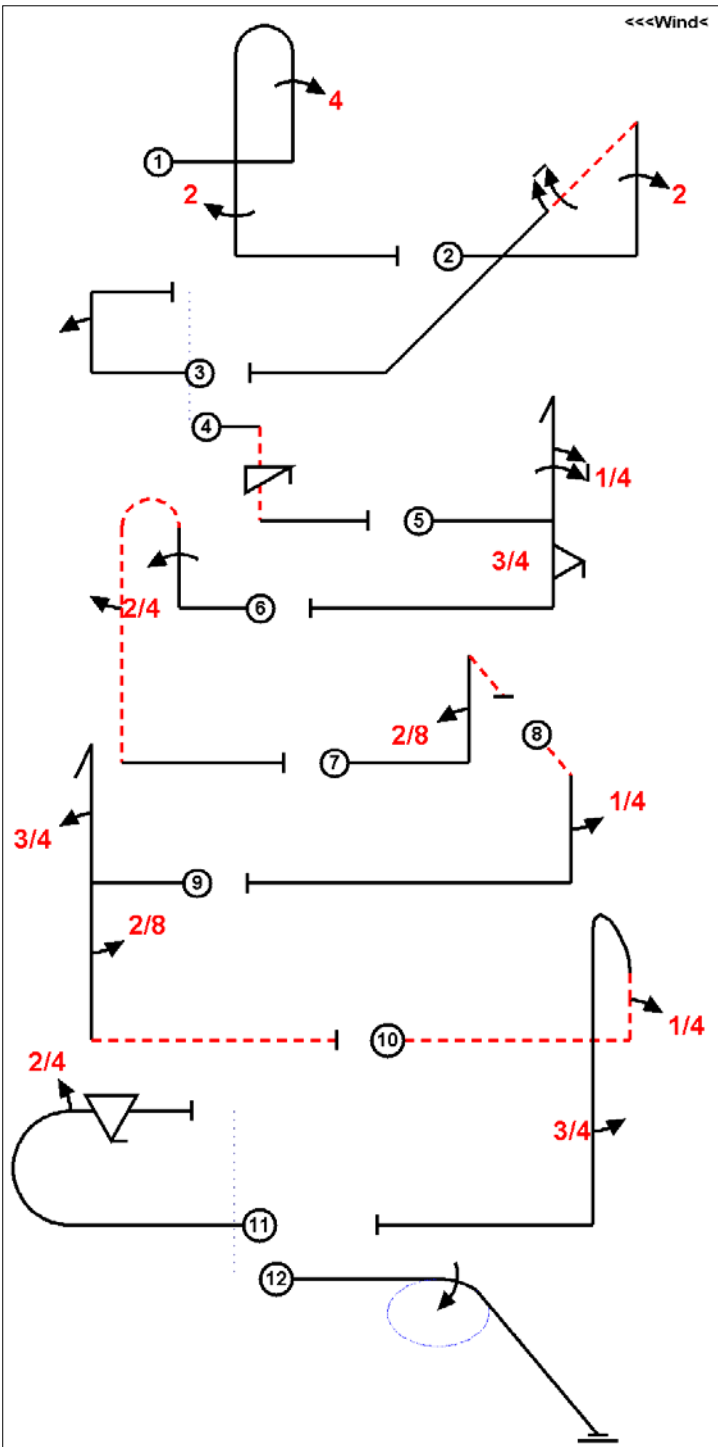
Sequence [iac advanced free] Verified OK: 12 Figures, 300K (max)

Pitts S-1 C-GIP

A/C:

(signature/date)

FREE PROGRAM CHECK BY:



Pendleton Ore

Advanced

Free

+ Pitts S-1 C-GIPS

Sequence [iac advanced free]
Verified OK: 12 Figures, 300K
(max)

300 K